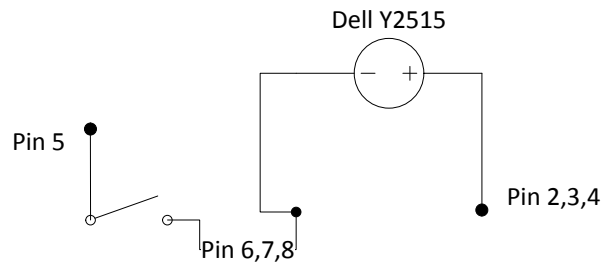
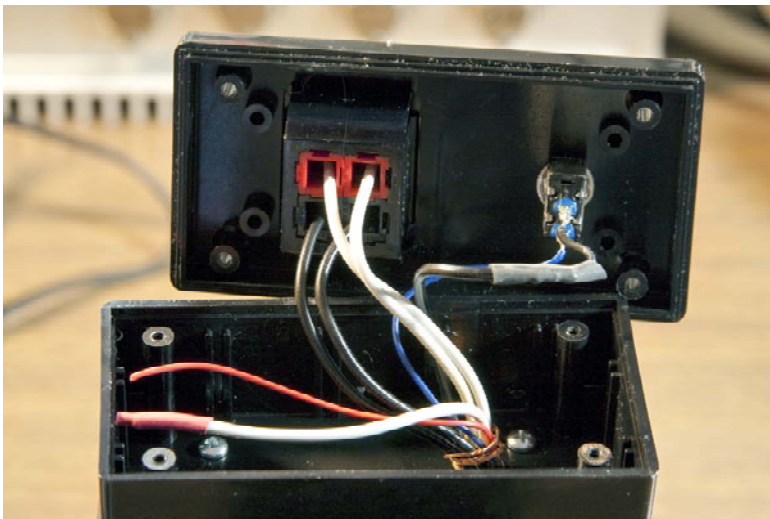


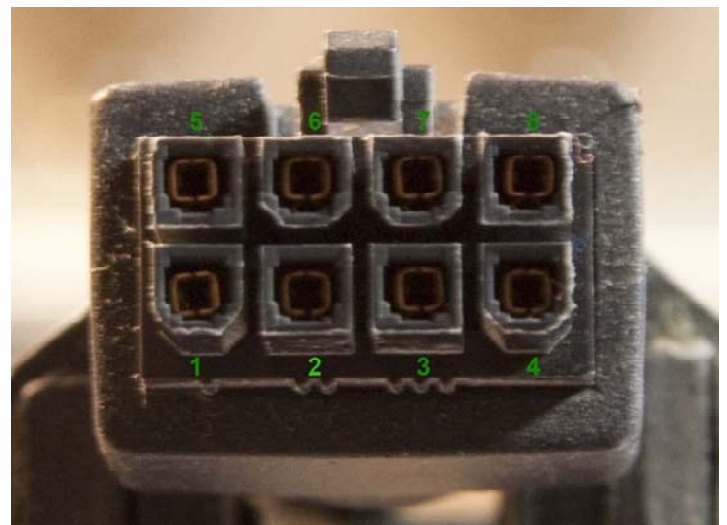
Dell DA-2 Power Supply
Conversion

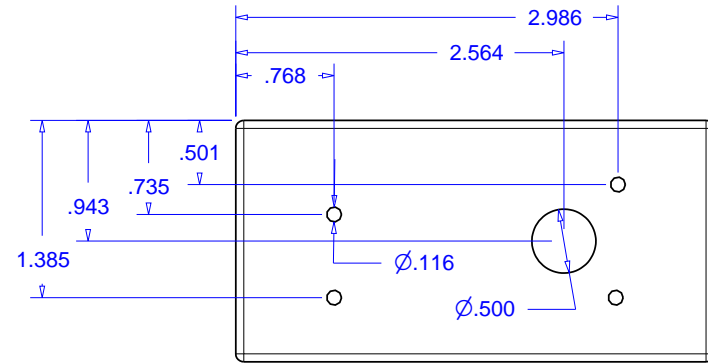
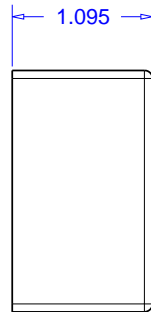
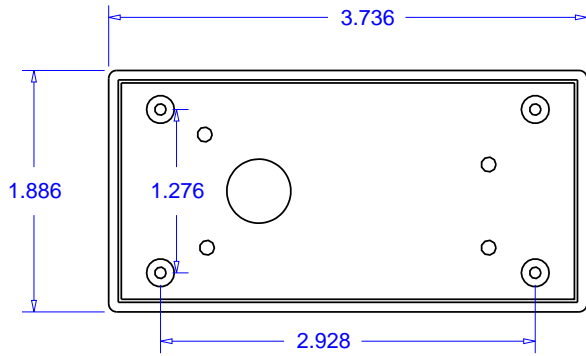
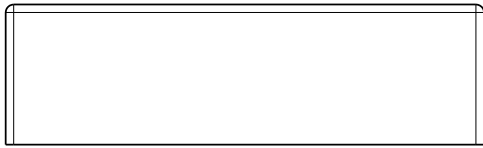
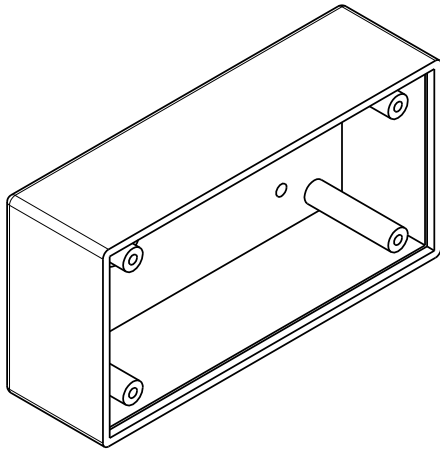


Pin 2, 3, 4, +12 volts
Pin 6, 7, 8 ground

Pin 5 Remote, connect to ground to
turn on the power

Parts List	Mouser Cat #
1 - Box	563-CU-1872-B
1 - Power Pole 2,3,4p Snap-in Recept	879-1470G1
1 - Switch - SPST 2 PIN FLAT LVR	1055-TA2120B-EVX
4 - Power Pole 30A	879-1331-BK
2 - Power Pole Shell Red	879-1327
2 - Power Pole Shell Black	879-1327G6
1 - Power Pole Retainer Pin	879-110G9
4 - #4 x 3/8 - Sheet Metal Screws	





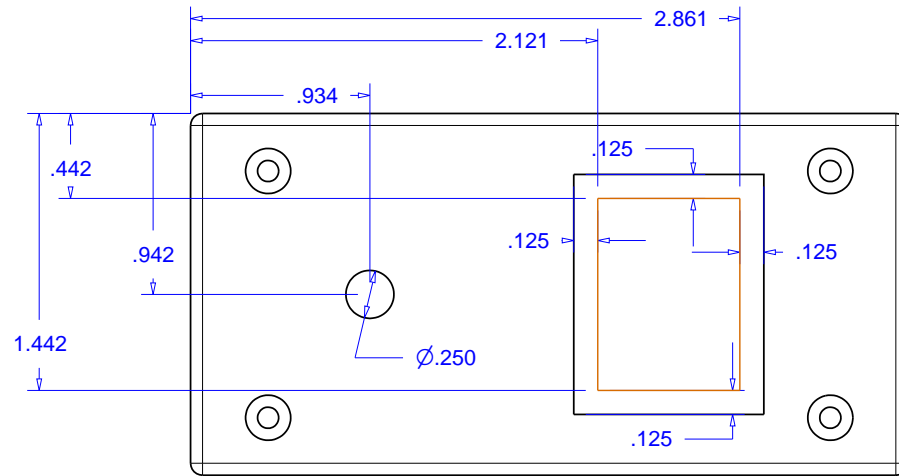
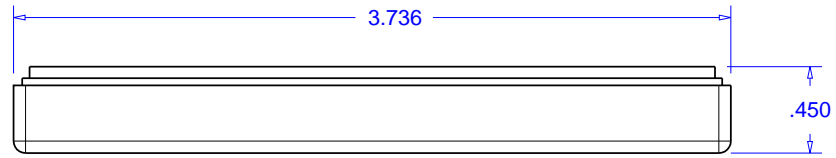
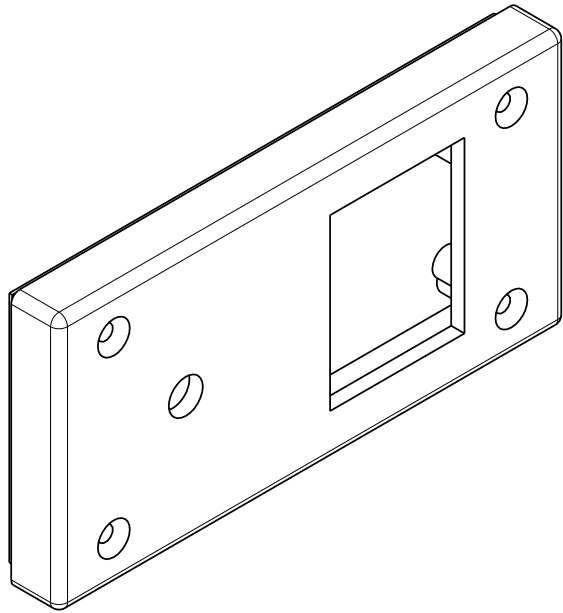
Bottom View

Dell Power Supply - Bud CU-1872 Box

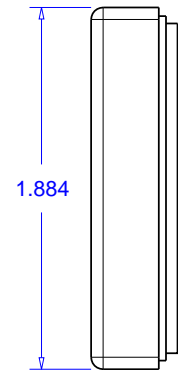
01/28/2012

1

Bill Moore



Cut Line For .25" Endmill



— Cut Line For .25" Endmill

Dell Power Supply Bud CU-1872 Lid		
01/28/2012	1	Bill Moore